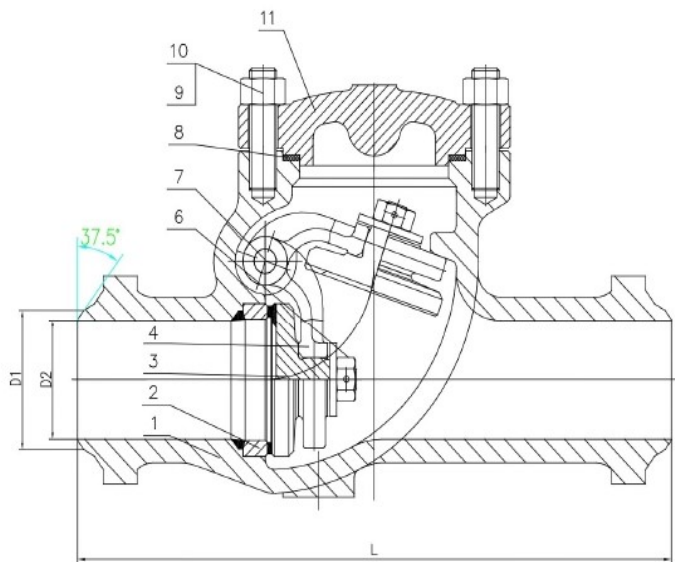


CAST SWING VALVE

Class 600 LBS

Basic design features



Design	API 6D /ASME B16.34
Face to face	ASME B16.10
BW	ASME B16.25
Testing	API 598
Bore	FULL
Bonnet	BOLTED
Marking	CE - PED
Certificates	EN 10204 - 3.1 / 3.2
Rating	600 LBS

Test Pressure to API 598

Class	600 LBS
Shell (Water)	153 bar
Seat (Water)	113 bar
Seat (Air)	6.0 bar

BILL OF MATERIALS STANDARD ACCORDING TO ASTM

	PART NAME	WCB	LCB	CF8M
1	BODY	ASTM A216 WCB	ASTM A352 LCC	ASTM A351 CF8M
2	SEAT	ASTM A105	INTEGRAL+316	INTEGRAL
3	DISC	ASTM A216	ASTM A352 LCC+316	ASTM A3351 CF8M
4	HINGE	ASTM A216 WCB	ASTM A352 LCC	ASTM A3351 CF8M
5	NUT	ASTM A194 2HM	ASTM A194 7M	ASTM A194 8
6	PIN	A276-410	A276-316	A276-316
7	GASKET	304+GRAPHITE	316+GRAPHITE	316+GRAPHITE
8	BOLT	ASTM A193 B7M	ASTM A193 L7M	ASTM A193 B8
9	NUT	ASTM A194 2HM	ASTM A194 7M	ASTM A194 8
10	BONNET	ASTM A216 WCB	ASTM A352 LCC	ASTM A351 CF8M

On requests available in: LCC-C5-C12-WC6-WC9-C12A-CF8-CF3-CF3M & trim No. 1, 5, 8, 10, 12, 16, ...

This document is the property of OPM ITALIA Srl. It must not be stored, reproduced or disclosed to others without Our written authorisation.

All data, subject to technical changes, are only for information and not for official use



CAST SWING VALVE Class 600 LBS

SIZE INCH	L (MM)	H (CLOSE-MM)	W (MM)
2	292	165	127
2 1/2	/	/	/
3	356	210	168,3
4	432	275	215,9
6	559	355	292,1
8	660	420	349,2
10	787	510	431,8
12	838	560	489

O.P.M. ITALIA Srl Via Murri, 40 20013 Magenta - MI Italy Phone +39 02 97003091

www.opmitalia.com / email : info@opmitalia.com