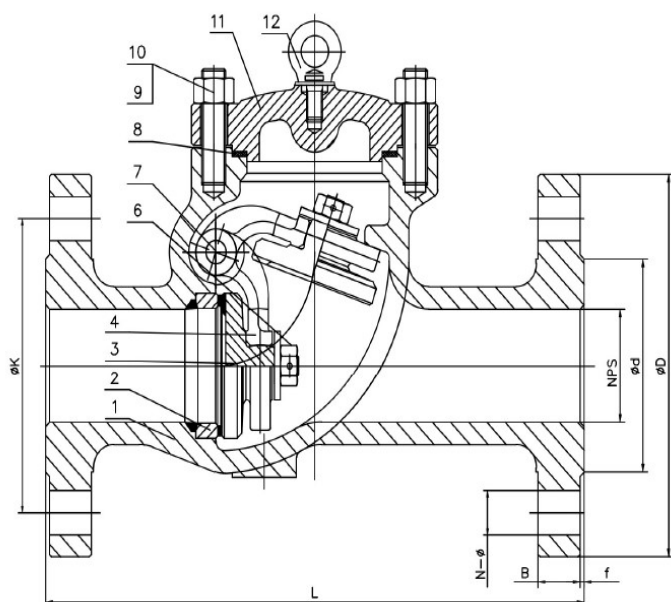


# CAST SWING VALVE

## Class 300 LBS

### Basic design features



<b>Design</b>	API 6D /ASME B16.34
<b>Face to face</b>	ASME B16.10
<b>Flanges</b>	ASME B16.5
<b>Testing</b>	API 598
<b>Bore</b>	FULL
<b>Bonnet</b>	BOLTED
<b>Marking</b>	CE - PED
<b>Certificates</b>	EN 10204 - 3.1 / 3.2
<b>Rating</b>	300 LBS

### Test Pressure to API 598

<b>Class</b>	300 LBS
<b>Shell (Water)</b>	77 bar
<b>Seat (Water)</b>	57 bar
<b>Seat (Air)</b>	6.0 bar

### BILL OF MATERIALS STANDARD ACCORDING TO ASTM

	PART NAME	WCB	LCB	CF8M
1	BODY	ASTM A216 WCB	ASTM A352 LCC	ASTM A351 CF8M
2	SEAT	ASTM A105	INTEGRAL+316	INTEGRAL
3	DISC	ASTM A216	ASTM A352 LCC+316	ASTM A3351 CF8M
4	HINGE	ASTM A216 WCB	ASTM A352 LCC	ASTM A3351 CF8M
5	NUT	ASTM A194 2HM	ASTM A194 7M	ASTM A194 8
6	PIN	A276-410	A276-316	A276-316
7	GASKET	304+GRAPHITE	316+GRAPHITE	316+GRAPHITE
8	BOLT	ASTM A193 B7M	ASTM A193 L7M	ASTM A193 B8
9	NUT	ASTM A194 2HM	ASTM A194 7M	ASTM A194 8
10	BONNET	ASTM A216 WCB	ASTM A352 LCC	ASTM A351 CF8M

On requests available in: LCC-C5-C12-WC6-WC9-C12A-CF8-CF3-CF3M & trim No. 1, 5, 8, 10, 12, 16, ...

This document is the property of OPM ITALIA Srl. It must not be stored, reproduced or disclosed to others without Our written authorisation.

All data, subject to technical changes, are only for information and not for official use



## CAST SWING VALVE

### Class 300 LBS

SIZE INCH	L (MM)	H (CLOSE-MM)	W (MM)
2	292	190	149,2
2 ½	318	210	168,3
3	356	255	200
4	400	280	235
6	444	320	269,9
8	533	380	330,2
10	622	445	387
12	711	410	450,8
14	838	585	514,4
16	884	650	571,5

O.P.M. ITALIA Srl Via Murri, 40 20013 Magenta - MI Italy Phone +39 02 97003091

[www.opmitalia.com](http://www.opmitalia.com) / email : [info@opmitalia.com](mailto:info@opmitalia.com)