

# CAST GLOBE VALVE

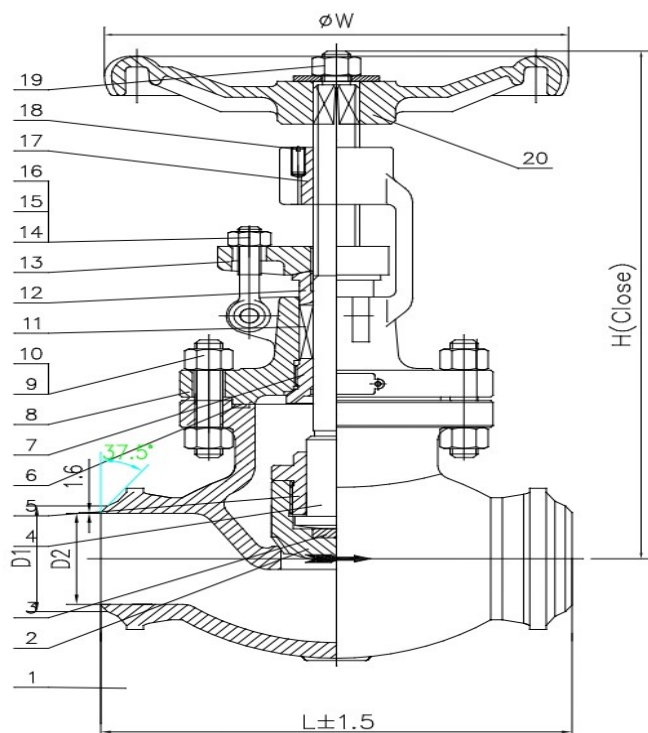
## Class 600 LBS

### Basic design features

|                     |                      |
|---------------------|----------------------|
| <b>Design</b>       | BS1873 /ASME B16.34  |
| <b>Face to face</b> | ASME B16.10          |
| <b>BW</b>           | ASME B16.25          |
| <b>Testing</b>      | API 598              |
| <b>Bore</b>         | FULL                 |
| <b>Bonnet</b>       | BOLTED               |
| <b>Marking</b>      | CE - PED             |
| <b>Certificates</b> | EN 10204 - 3.1 / 3.2 |
| <b>Rating</b>       | 600 LBS              |

### Test Pressure to API 598

|                      |         |
|----------------------|---------|
| <b>Class</b>         | 600 LBS |
| <b>Shell (Water)</b> | 153 bar |
| <b>Seat (Water)</b>  | 113 bar |
| <b>Seat (Air)</b>    | 6.0 bar |



### BILL OF MATERIALS STANDARD ACCORDING TO ASTM

|    | PART NAME     | WCB             | LCB               | CF8M            |
|----|---------------|-----------------|-------------------|-----------------|
| 1  | BODY          | ASTM A 216 WCB  | ASTM A352 LCB+STL | ASTM A351 CF8M  |
| 2  | DISC          | ASTM A 105      | ASTM LF2+316      | ASTM A182 F316  |
| 3  | THRUST PLATE  | ASTM A276 410   | ASTM A 276 410    | ASTM A276 316   |
| 4  | STEM          | ASTM A 182 F6a  | ASTM A 182-F316   | ASTM A 182-F316 |
| 5  | DISC NUT      | AISI 1025       | AISI 1025         | ASTM A276 316   |
| 6  | GASKET        | 304+GRAPHITE    | 316+GRAPHITE      | 316+GRAPHITE    |
| 7  | BACK SEAT     | ASTM A 182 F6a  | ASTM A 182 F6a    | INTEGRAL        |
| 8  | BONNET        | ATM A 216 WCB   | ASTM A352 LCB     | ASTM A351 CF8M  |
| 9  | BOLT          | ASTM A 193 B7M  | ASTM A 193-L7M    | ASTM A 193 B8   |
| 10 | NUT           | ASTM A 194-2HM  | ASTM A 194 L7M    | ASTM A 194-8    |
| 11 | PACKING       | GRAPHITE        | GRAPHITE          | GRAPHITE        |
| 12 | PACKING GLAND | ASTM A 276 410  | ASTM A 276-410    | ASTM A276 316   |
| 13 | GLAND FLANGE  | ASTM A105       | ASTM A 105        | ASTM A 351 CF8M |
| 14 | PIN           | AISI 1035       | AISI 1035         | ASTM A276 316   |
| 15 | NUT           | ASTM A 194-2HM  | ASTM A 194-7M     | ASTM A 194-8    |
| 16 | EYE-BOLT      | ASTM A193-B7M   | ASTM A193 L7M     | ASTM A193-B8    |
| 17 | STEM NUT      | COPPER ALLOY    | COPPER ALLOY      | COPPER ALLOY    |
| 18 | SCREW         | AISI 1035       | AISI 1035         | AISI 1035       |
| 19 | NUT           | AISI 1025       | AISI 1025         | AISI 1025       |
| 20 | HANDWHEEL     | A536 Gr60-40-18 | A536 Gr60-40-18   | A536 Gr60-40-18 |

On requests available in: LCC-C5-C12-WC6-WC9-C12A-CF8-CF3-CF3M & trim No. 1, 5, 8, 10, 12, 16, ...

Gear recommended from 16"

This document is the property of OPM ITALIA Srl. It must not be stored, reproduced or disclosed to others without Our written authorisation.

All data, subject to technical changes, are only for information and not for official use



## CAST GLOBE VALVE Class 600 LBS

| SIZE INCH | L (MM) | H (CLOSE-MM) | W (MM) | H (CLOSE-MM)<br>W/ GEAR |
|-----------|--------|--------------|--------|-------------------------|
| 2         | 292    | 325          | 250    | /                       |
| 2 ½       | 330    | 325          | 250    | /                       |
| 3         | 356    | 390          | 350    | /                       |
| 4         | 432    | 450          | 400    | /                       |
| 5         | 440    | 455          | 450    | /                       |
| 6         | 559    | 521          | 600    | /                       |
| 8         | 660    | 714          | /      | 831                     |
| 10        | 787    | 890          | /      | 1021                    |
| 12        | 838    | 938          | /      | 1030                    |

O.P.M. ITALIA Srl Via Murri, 40 20013 Magenta - MI Italy Phone +39 02 97003091

[www.opmitalia.com](http://www.opmitalia.com) / email : [info@opmitalia.com](mailto:info@opmitalia.com)