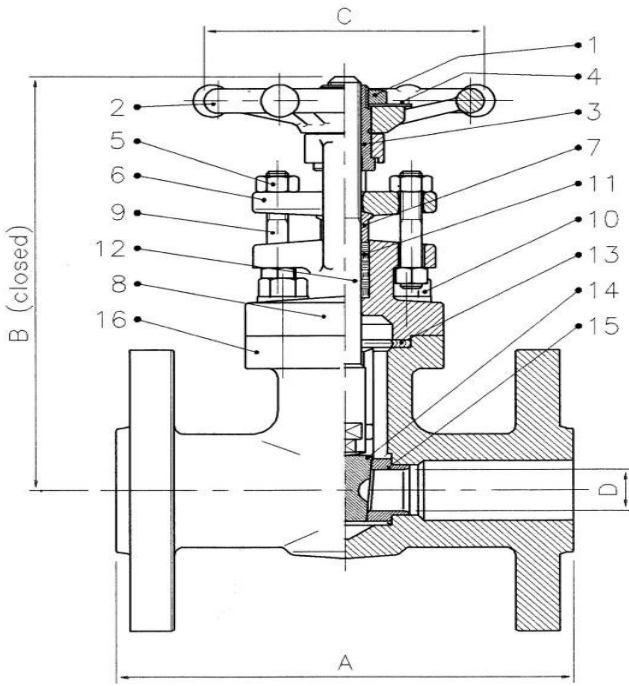


# FORGED GATE VALVE

## Class 150 LBS



### Basic design features

<b>Design</b>	ISO 15761-API 602
<b>Face to face</b>	ASME B16.10
<b>Flanges</b>	ASME B16.5
<b>Testing</b>	API 598
<b>Bore</b>	REDUCED
<b>Bonnet</b>	BOLTED
<b>Marking</b>	CE - PED
<b>Certificates</b>	EN 10204 - 3.1 / 3.2
<b>Rating</b>	150 LBS

### Test Pressure to API 598

<b>Class</b>	150 LBS
<b>Shell (Water)</b>	30 bar
<b>Seat (Water)</b>	22 bar
<b>Seat (Air)</b>	6.0 bar

### BILL OF MATERIALS STANDARD ACCORDING TO ASTM

	PART NAME	A105	A350 LF2	A182 F11	A182 F316
1	Handwheel Nut	CS	CS	CS	CS
2	Handwheel	CS	CS	CS	Carbon Steel RILSAN
3	Yoke Sleeve	AISI 416	AISI 416	AISI 416	AISI 416
4	Nameplate	Aluminium	Aluminium	Aluminium	Aluminium
5	Gland Nut	ASTM A194 Gr 2H	ASTM A194 GR.8	ASTM A194 Gr 2H	ASTM A194 Gr.8
6	Gland Flange	ASTM A105N	ASTM A350 LF2	ASTM A105N	ASTM A182F316
7	Packing Gland	ASTM A182 F316	ASTM A182 F316	ASTM 182 F316	ASTM A182 F316
8	Bonnet	ASTM A105N	ASTM A350 LF2	ASTM A182 F11	ASTM A182 F316
9	Gland Studs	AISI 410	ASTM A193 B8	AISI410	ASTM A193 B8
10	Bolt B/B	ASTM A193 B7	ASTM A193 L7	ASTM A193 B16	ASTM A193 B8
11	Packing	Graphite	Graphite	Graphite	Graphite
12	Stem	ASTM A182 F6	ASTM A182 F6	ASTM A182 F6	ASTM 183 F316
13	Gasket B/B	F316 + Graphite	F316 + Graphite	F316 +Graphite	F316 + Graphite
14	Wedge	ASTM A182 F6	ASTM A182 F6	ASTM A182 F6	ASTM A182 F316
15	Seat	ASTM A182 F6	ASTM A182 F6	ASTM A182 F6	ASTM A182 F316
16	Body	ASTM A105N	ASTM A350 LF2	ASTM A182 F11	ASTM A182 F316

\*Body Material available in: A182 F5 - A182 F22 - A182 F91 - A182 F304 - A182 F347- A182 F321 - A182 F44 - A182 F51 - A182 F53

On request TRIM: with Stellite , Monel, Hastelloy, Inconel, Alloy, other material



## FORGED GATE VALVE

### Class 150 LBS

SIZE INCH	A (MM)	B (MM)	C (MM)	D (MM)
1/4"	/	/	/	/
3/8"	/	/	/	/
1/2"	108	159	90	15,8
3/4"	117,5	163	90	20,9
1"	127	187	100	26,6
1 1/4"	/	/	/	/
1 1/2"	165,1	231	140	40,9
2"	177,8	258	140	52,5

O.P.M. ITALIA Srl Via Murri, 40 20013 Magenta - MI Italy Phone +39 02 97003091

[www.opmitalia.com](http://www.opmitalia.com) / email : [info@opmitalia.com](mailto:info@opmitalia.com)