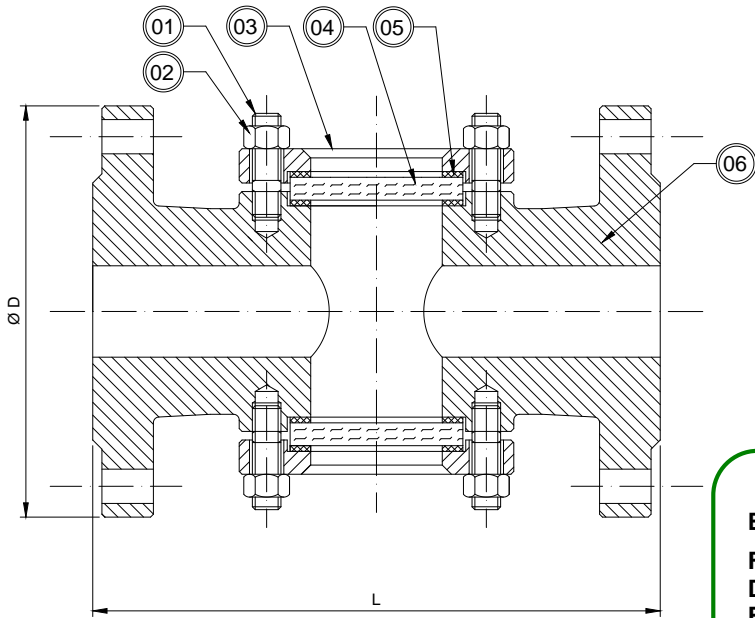


SIGHT GLASS 2 WINDOWS TYPE

ANSI 300#

DT-SG-003



STANDARD DESCRIPTION

- Bolted Cover
- Integral Flanges
- Suitable for horizontal and vertical installation
- Tempered or Borosilicate Glass
- Special design, upon Customer's request.

BASIC DESIGN STANDARDS

Basic Design Mfr Std

Face to Face Dimension Manufacturer Standard

Flanges Up to 24" ANSI B16.5
UNI PN 16

Testing Mfr Std

* Recommended Spare Parts

BILL OF MATERIALS STANDARD ACCORDING TO ASTM

No	Part Name	Carbon Steel		Stainless Steel	
		WCB	LCB	CF8	CF8M
01	Stud bolts	A193-B7	A320-L7	A193-B8M	A193-B8
02	Nuts	A194-2H	A194-4	A194-8M	A194-8
03	Cover	A105N	A350-LF2	A182 F304	A182 F316
04	Glass	Tempered or borosilicate Glass			
05 (*)	Body / Cover Gasket	Graphoil			
06	Body	A216 WCB	A352 LCB	A351 CF8	A351 CF8M

SIZE	L (RF)	Ø D ANSI 300#	SIZE GLASS (visible dia.)	Weight [Kgs]
1/2"	135	95.2	45	1,3
3/4"	150	117.5	45	1,4
1"	160	123.8	45	2,3
1-1/4"	180	133.3	50	3,5
1-1/2"	200	155.6	50	4,0
2"	230	165.1	60	11
2-1/2"	290	190.5	90	16
3"	310	209.5	90	20
4"	350	228.6	100	27

This document is the property of OPM Italia Srl. It must not be stored, reproduced or disclosed to others without written authorisation from the Company.