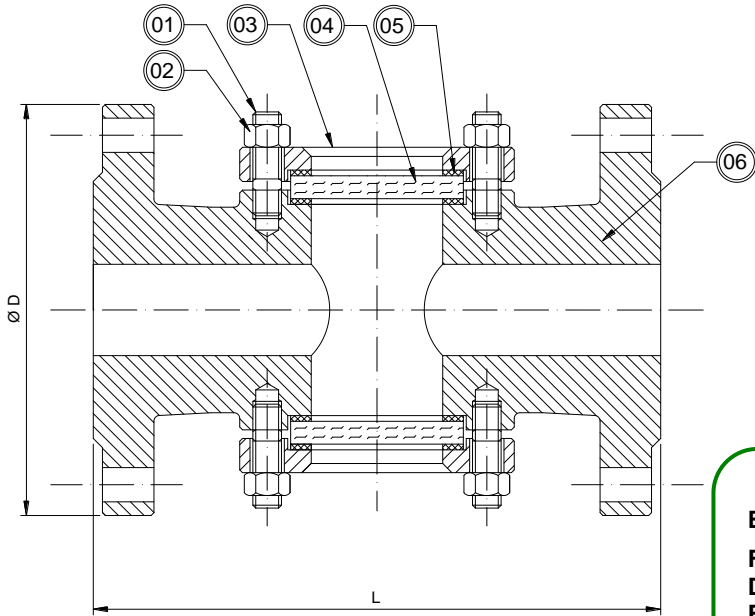


SIGHT GLASS 2 WINDOWS TYPE

150 / UNI PN 16

DT-SG-002



STANDARD DESCRIPTION

- Bolted Cover
- Integral Flanges
- Suitable for horizontal and vertical installation
- Tempered or Borosilicate Glass
- Special design, upon Customer's request.

BASIC DESIGN STANDARDS

Basic Design Mfr Std

Face to Face Dimension Manufacturer Standard

Flanges Up to 24" ANSI B16.5
UNI PN 16

Testing Mfr Std

* Recommended Spare Parts

BILL OF MATERIALS STANDARD ACCORDING TO ASTM

No	Part Name	Carbon Steel		Stainless Steel	
		WCB	LCB	CF8	CF8M
01	Stud bolts	A193-B7	A320-L7	A193-B8M	A193-B8
02	Nuts	A194-2H	A194-4	A194-8M	A194-8
03	Cover	A105N	A350-LF2	A182 F304	A182 F316
04	Glass	Tempered or borosilicate Glass			
05 (*)	Body / Cover Gasket	Graphoil			
06	Body	A216 WCB	A352 LCB	A351 CF8	A351 CF8M

SIZE	L (RF)	Ø D ANSI 150#	Ø D [UNI PN 16]	SIZE GLASS	Weight [Kgs]
1/2"	130	88.9	95	55 x 8	1,3
3/4"	150	98.4	105	55 x 8	1,4
1"	160	107,9	115	55 x 8	2,3
1-1/4"	180	117,5	140	65 x 12	3,5
1-1/2"	200	127,0	150	65 x 12	4,0
2"	230	152,4	165	78 x 12	11
2-1/2"	290	177,8	185	110 x 15	16
3"	310	190,5	200	110 x 15	20
4"	350	228,6	220	135 x 18	27
6"	480	279,4	285	190 x 20	68
8"	600	343	351	200 x 30	90
10"	730	406	419	200 x 30	120

This document is the property of OPM Italia Srl. It must not be stored, reproduced or disclosed to others without written authorisation from the Company.