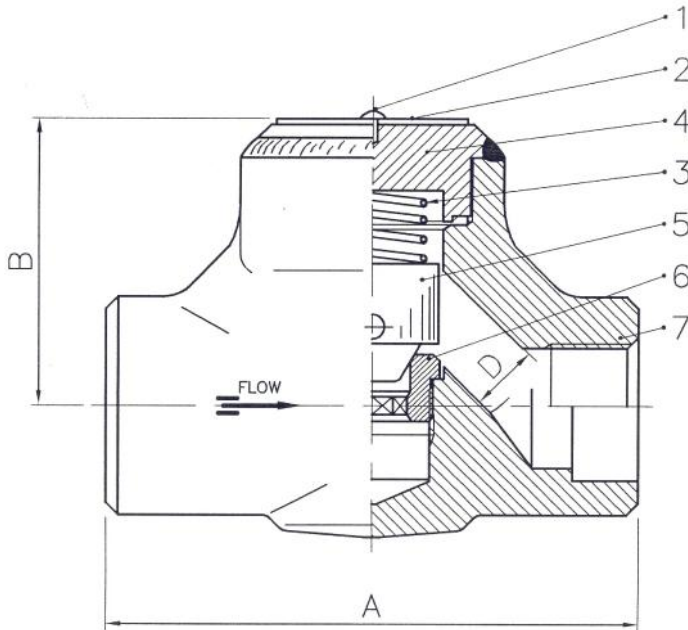


1500 Lbs

DT-FPCV-008



BASIC DESIGN STANDARDS

Basic Design ISO 15761 – BS5352

Wall Thickness / Pressure / Temperature According to ANSI B16.34

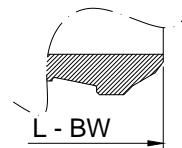
Ends SW according to ANSI

Dimensions B16.11 / NPT-F according to ASME B1.20

Bore Reduced & Full

TEST PRESSURE TO API 598 bar

Class	Shell (water)	Seat (water)	Seat (air)
1500	382	280	6.0



BW Welded-End version

**Also available BALL check valve type

BILL OF MATERIALS STANDARD ACCORDING TO ASTM

No	Part Name	Carbon Steel		Alloy Steel	Stainless Steel
		A105/F6 (**)	A105/F6 HF	F11/F6 HF (**)	SS316
01	Rivet	Carbon Steel	Carbon Steel	Carbon Steel	Carbon Steel
02	Name Plate	Aluminium	Aluminium	Aluminium	INOX
03	Spring	ASTM A479 TP316L	ASTM A479 TP316L	ASTM A479 TP316L	ASTM A479 TP316L
04	Cover	ASTM A105N	ASTM A105N	ASTM A182 Gr. F11	ASTM A182 Gr. F316L
05	Piston/Ball	A479 TP410	A479 TP410 + ST.6	A479 TP410 + ST.6	A479 TP316L
06	Seat	A479 TP410	A479 TP410 + ST.6	A479 TP410 + ST.6	A479 TP316L
07	Body	ASTM A105N	ASTM A105N	ASTM A182 Gr. F11	ASTM A182 Gr. F316L

* Recommended Spare Parts

1500 Lbs

FORGED STEEL PISTON CHECK VALVES CLASS 1500

ANSI CLASS 1500

PRESSURE – TEMPERATURE RATINGS TO ANSI B16.34

Temperature °C	WORKING PRESSURE (bar.g)	
	ASTM A105N (a)	ASTM A182 F11 (b)
-29 to 38	255.5	258.6
93	232.8	258.6
149	226.2	249.0
204	218.6	239.0
260	206.6	229.3
316	188.6	208.6
343	185.2	202.8
371	183.8	195.9
399	173.8	183.4
427	142.1	175.2
454	92.4	167.9
482	59.3	154.8
510	35.5	110.0
538	17.9	74.5

(a) Permissible, but not recommended for prolonged usage above 427 °C
 (b) Permissible, but not recommended for prolonged usage above 594 °C
 (c) For welding end valves only: Flanged end ratings terminate at 538°C

SIZE (Reduced Bore)		DIMENSION in mm				
Inches	mm	L	H	C	D	Kg
1/2"	15	90	55	-	9	2.2
3/4"	20	110	70	-	11	3.1
1"	25	120	77	-	14.5	4.2
1-1/4"	32	130	105	-	19	5.8
1-1/2"	40	170	115	-	27	9.4
2"	50	210	145	-	31	12.1

SIZE (Full Bore)		DIMENSION in mm				
Inches	mm	L	H	C	D	Kg
1/4"	8	90	55	-	7	2.2
3/8"	10	90	55	-	9	2.2
1/2"	15	110	70	-	11	3.1
3/4"	20	120	77	-	14.5	4.2
1"	25	130	105	-	19	5.8
1-1/4"	32	170	115	-	27	9.4
1-1/2"	40	210	145	-	31	12.1
2"	50	210	145	-	37.5	13.5