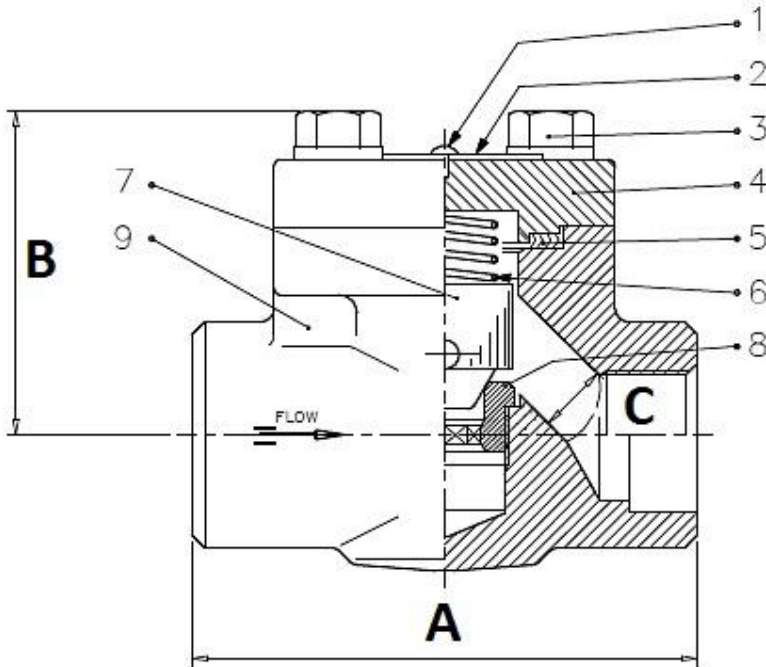


800 Lbs

DT-FPCV-001



BASIC DESIGN STANDARDS

Basic Design ISO 15761 – BS5352

Wall Thickness / Pressure / Temperature According to ANSI B16.34

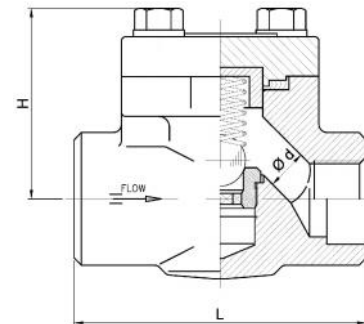
Ends SW according to ANSI

Dimensions B16.11 / NPT-F according to ASME B1.20

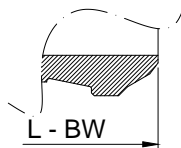
Bore Reduced & Full

TEST PRESSURE TO API 598 bar

Class	Shell (water)	Seat (water)	Seat (air)
800	204	150	6.0



**also available on request ball check type



BW Welded-End version

BILL OF MATERIALS STANDARD ACCORDING TO ASTM

No	Part Name	Carbon Steel		Alloy Steel	Stainless Steel
		A105/F6 (**)	A105/F6 HF	F11/F6 HF (**)	SS316
01	Rivet	Carbon Steel	Carbon Steel	Carbon Steel	Carbon Steel
02	Name Plate	Aluminium	Aluminium	Aluminium	INOX
03	Bolts B/C	A193 B7	A193 B7	A193 B7	A193 B8
04	Cover	ASTM A105N	ASTM A105N	ASTM A182 Gr. F11	ASTM A182 Gr. F316L
05	Gasket B/C	F316 + Graphoil	F316 + Graphoil	F316 + Graphoil	F316 + Graphoil
06	Spring	ASTM A479 TP316L	ASTM A479 TP316L	ASTM A479 TP316L	ASTM A479 TP316L
07	Piston/Ball	A479 TP410	A479 TP410 + ST.6	A479 TP410 + ST.6	A479 TP316L
08	Seat	A479 TP410	A479 TP410 + ST.6	A479 TP410 + ST.6	A479 TP316L
09	Body	ASTM A105N	ASTM A105N	ASTM A182 Gr. F11	ASTM A182 Gr. F316L

* Recommended Spare Parts

(**) also available for rating 1500# Reduced Bore

800 Lbs

FORGED STEEL PISTON CHECK VALVES CLASS 800

800# SIZE (Reduced Bore)		DIMENSION in mm				
Inches	mm	L	H	C	D	Kg
1/2"	15	-	-	-	-	-
3/4"	20	90	55	-	14	1.8
1"	25	110	70	-	18	2.6
1-1/4"	32	127	77	-	24	3.6
1-1/2"	40	130	105	-	29.5	5.5
2"	50	150	120	-	36.5	8.4

800# SIZE (Full Bore)		DIMENSION in mm				
Inches	mm	L	H	C	D	Kg
1/4"	8	-	-	-	-	-
3/8"	10	80	49	-	10	1.1
1/2"	15	90	55	-	14	1.8
3/4"	20	110	70	-	18	2.6
1"	25	127	77	-	24	3.6
1-1/4"	32	155	105	-	29.5	5.5
1-1/2"	40	170	120	-	36.5	8.4
2"	50	210	145	-	48	11.8

ANSI CLASS 800

PRESSURE – TEMPERATURE RATINGS TO ANSI B16.34

Temperature °C	WORKING PRESSURE (bar.g)		
	ASTM A105N (a)	ASTM A182 F11 (b)	ASTM A182 SS316 (c)
-29 to 38	136.2	137.9	132.4
93	124.1	137.9	114.1
149	120.7	132.8	103.1
204	116.5	127.6	94.5
260	110.0	122.4	87.9
316	100.7	111.4	83.1
343	98.6	108.3	81.7
371	97.9	104.5	80.0
399	92.7	97.9	78.6
427	75.8	93.4	77.6
454	49.3	89.7	76.9
482	31.7	82.8	76.2
510	19.0	58.6	71.0
538	9.6	39.7	64.5

(a) Permissible, but not recommended for prolonged usage above 427 °C
 (b) Permissible, but not recommended for prolonged usage above 594 °C
 (c) For welding end valves only: Flanged end ratings terminate at 538°C