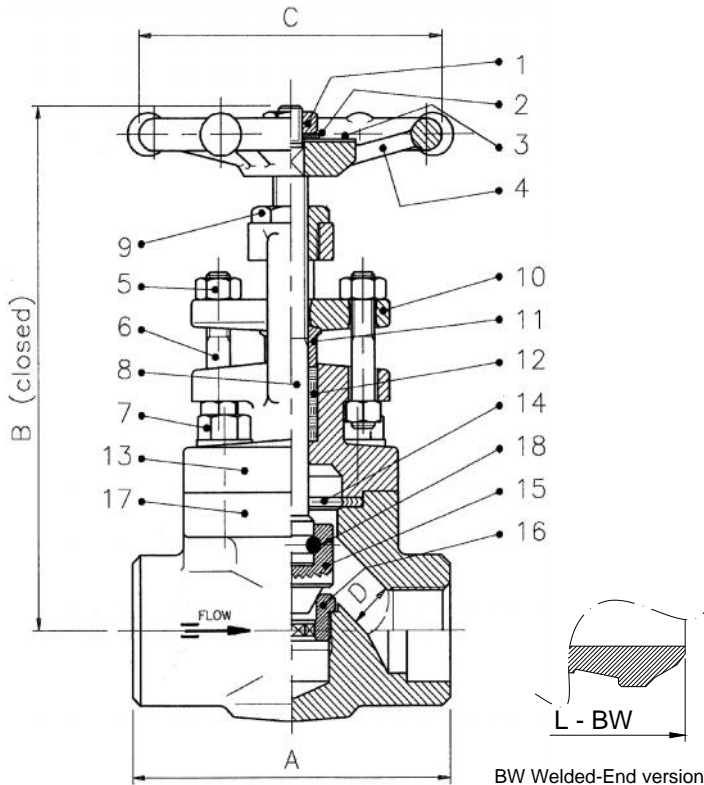


1500 Lbs

DT-FDV-004



BASIC DESIGN STANDARDS

Basic Design ISO 15761 – BS5352

Wall Thickness / Pressure / Temperature According to ANSI B16.34

Ends SW according to ANSI

Dimensions B16.34 / NPT-F according to ASME B1.20

Bore Reduced & Full

TEST PRESSURE TO API 598 bar

Class	Shell (water)	Seat (water)	Seat (air)
1500	382	280	6.0

BILL OF MATERIALS STANDARD ACCORDING TO ASTM

No	Part Name	Carbon Steel		Alloy Steel	Stainless Steel
		A105/F6	LF2/304	F11/F6 HF	SS316 HF
01	Handwheel Nut	Carbon Steel	Carbon Steel	Carbon Steel	A194 Gr.8
02	Washer	Carbon Steel	Carbon Steel	Carbon Steel	A194 Gr.8
03	Name Plate	Aluminium	Aluminium	Aluminium	INOX
04	Handwheel	Carbon Steel	Carbon Steel	Carbon Steel	Carbon Steel + Rislant
05	Gland Nuts	A194 Gr. 2H	A194 Gr. 2H	A194 Gr. 2H	A194 Gr.8
06	Gland Studs	AISI 410	AISI 410	AISI 410	A193 B8M
07	Bolts B/B	A193 B7	A193 B7	A193 B7	A193 B8
08	Stem	A479 TP410	A479 TP304	A479 TP410	A479 TP316L
09	Yoke Sleeve	AISI 416	AISI 416	AISI 416	AISI 416
10	Gland Flange	ASTM A105N	ASTM A350 LF2	ASTM A182 F11	ASTM A316
11	Packing Gland	A479 TP410	A479 TP410	A479 TP410	A479 TP316L
12*	Packing	Graphoil	Graphoil	Graphoil	Graphoil
13	Bonnet	ASTM A105N	ASTM A350 LF2	ASTM A182 F11	ASTM A182 F316L
14*	Gasket B/B	F316 + Graphoil	F316 + Graphoil	F316 + Graphoil	F316 + Graphoil
15	Disc	A479 TP410	A479 TP304	A479 TP410 + STL.6	A479 TP316L + STL.6
16	Seat Ring	A479 TP410 (+STL.6**)	A479 TP304	A479 TP410 + STL.6	A479 TP316L + STL.6
17	Body	ASTM A105N	ASTM A350 LF2	ASTM A182 F11	ASTM A182 F316L
18	Wire Joint	Inconel 750	Inconel 750	Inconel 750	ASTM A182 F316L

* Recommended Spare Parts

FORGED GLOBE VALVES

1500 Lbs

ANSI CLASS 1500	PRESSURE – TEMPERATURE RATINGS TO ANSI B16.34	
Temperature °C	WORKING PRESSURE (bar.g)	
	ASTM A105N (a)	ASTM A182 F11 (b)
-29 to 38	255.5	258.6
93	232.8	258.6
149	226.2	249.0
204	218.6	239.0
260	206.6	229.3
316	188.6	208.6
343	185.2	202.8
371	183.8	195.9
399	173.8	183.4
427	142.1	175.2
454	92.4	167.9
482	59.3	154.8
510	35.5	110.0
538	17.9	74.5

(a) Permissible, but not recommended for prolonged usage above 427 °C
 (b) Permissible, but not recommended for prolonged usage above 594 °C
 (c) For welding end valves only: Flanged end ratings terminate at 538°C

SIZE (Reduced Bore)		DIMENSION in mm				
Inches	mm	A	B	C	D	Kg (HANDWHEEL)
1/2"	15	90	165	80	9	2
3/4"	20	110	195	120	11	3.3
1"	25	120	230	140	14.5	5.5
1-1/4"	32	130	260	140	19	9
1-1/2"	40	170	285	170	27	12
2"	50	210	330	170	31	18

SIZE (Full Bore)		DIMENSION in mm				
Inches	mm	A	B	C	D	Kg (HANDWHEEL)
1/4"	8	90	165	80	7	1.8
3/8"	10	90	165	80	9	2
1/2"	15	110	195	120	11	3.3
3/4"	20	120	230	140	14.5	5.5
1"	25	130	260	140	19	9
1-1/4"	32	170	285	170	27	12
1-1/2"	40	210	330	170	31	18
2"	50	210	340	260	37.5	22

FORGED STEEL GLOBE VALVES CLASS 1500#