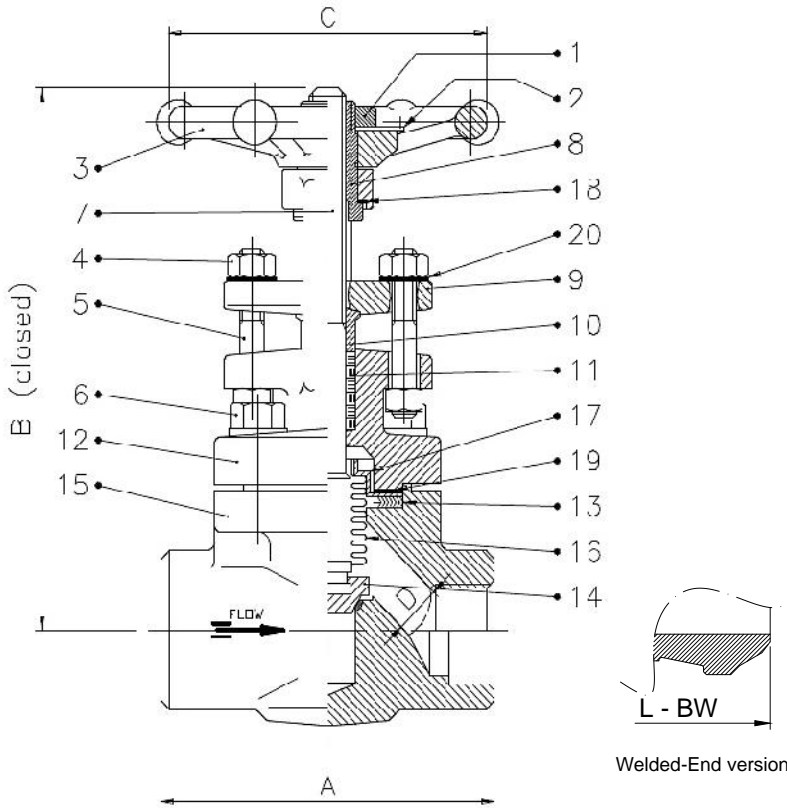


800 Lbs

DT-FBV-001



BASIC DESIGN STANDARDS

Basic Design ISO 15761 – BS5352

Wall Thickness / Pressure / Temperature According to ANSI B16.34

Ends SW according to ANSI

Dimensions B16.34 / NPT-F according to ASME B1.20

Bore Reduced & Full

TEST PRESSURE TO API 598 bar

Class	Shell (water)	Seat (water)	Seat (air)
800	204	150	6.0

BILL OF MATERIALS STANDARD ACCORDING TO ASTM

No	Part Name	A105/F6
01	Handwheel Nut	Carbon Steel
02	Name Plate	Aluminium
03	Handwheel	Carbon Steel
04	Gland Nuts	A194 Gr. 2H
05	Gland Studs	AISI 410
06	Bolts B/B	A193 B7
07	Stem	A479 TP410
08	Yoke Sleeve	AISI 416
09	Gland Flange	ASTM A105N
10	Packing Gland	A479 TP410
11	Packing	Graphoil
12*	Bonnet	ASTM A105N
13	Gasket B/B	F316 + Graphoil
14*	Disc	A479 TP410
15	Body	ASTM A105N
16	Bellow	ASTM A182 F316
17	Upper Bushing	A479 TP410
18	Washer	A479 TP410
18	Upper Gasket	A479 TP410

** Other materials available on request

* Recommended Spare Parts

800 Lbs

FORGED STEEL GLOBE VALVES CLASS 800 LBS

ANSI CLASS 800

PRESSURE – TEMPERATURE RATINGS TO ANSI B16.34

Temperature °C	WORKING PRESSURE (bar.g)		
	ASTM A105N (a)	ASTM A182 F11 (b)	ASTM A182 SS316 (c)
-29 to 38	136.2	137.9	132.4
93	124.1	137.9	114.1
149	120.7	132.8	103.1
204	116.5	127.6	94.5
260	110.0	122.4	87.9
316	100.7	111.4	83.1
343	98.6	108.3	81.7
371	97.9	104.5	80.0
399	92.7	97.9	78.6
427	75.8	93.4	77.6
454	49.3	89.7	76.9
482	31.7	82.8	76.2
510	19.0	58.6	71.0
538	9.6	39.7	64.5

(a) Permissible, but not recommended for prolonged usage above 427 °C
 (b) Permissible, but not recommended for prolonged usage above 594 °C
 (c) For welding end valves only: Flanged end ratings terminate at 538°C

SIZE (Reduced Bore)		DIMENSION in mm				
Inches	mm	A	B	C	D	Kg (HANDWHEEL)
1/2"	15	80	160	78	9	1.8
3/4"	20	90	170	78	12.5	2.0
1"	25	110	200	100	17.5	3.3
1-1/4"	32	127	235	120	22.5	5.4
1-1/2"	40	155	270	140	29	7.9
2"	50	170	290	170	35	10.8

SIZE (Full Bore)		DIMENSION in mm				
Inches	mm	A	B	C	D	Kg (HANDWHEEL)
1/4"	8	80	160	78	7	1.8
3/8"	10	80	160	78	9	1.8
1/2"	15	90	170	78	12.5	2.0
3/4"	20	110	200	100	17.5	3.3
1"	25	127	235	120	22.5	5.4
1-1/4"	32	155	270	140	29	7.9
1-1/2"	40	170	290	170	35	10.8
2"	50	210	345	170	45	19