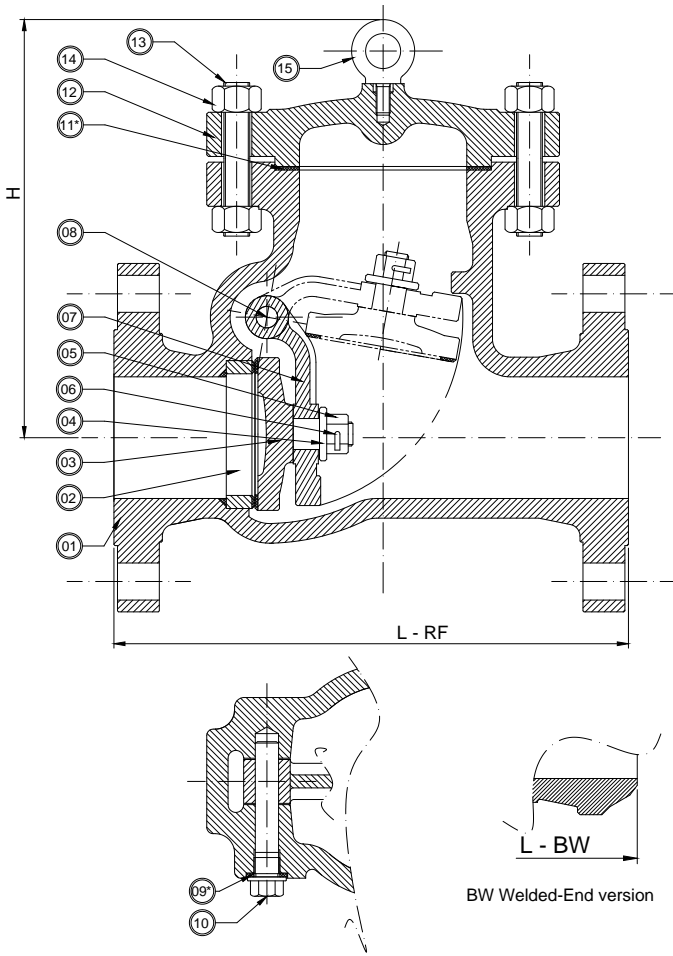


CAST STEEL SWING CHECK VALVES

150 Lbs

DT-CSV6D-150



BASIC DESIGN STANDARDS

Basic Design API 6D / ANSI B16.34

Face to Face Dimension ANSI B16.10

Flanges Up to 24" ANSI B16.5
From 26" MSS SP44
ANSI B16.47 API 605

Butt-weld ends ANSI B16.25

Testing API 598 / API 6D

STANDARD DESCRIPTION

- Full Opening
- Flow direction is stamped on body
- Bolted Cover Joint
- Welded Seat Ring
- Lifting Eyebolt from 30 Kg and heavier
- Special features according to Customer's requirement
- Available accessories:
 - Outside lever with counter weight
 - Shock absorber (pneumatic cylinder)
 - Limit switch

TEST PRESSURE TO API 598 Psi/bar

Shell (water)	Seat (water)	Seat (air)
430 / 30	315 / 22	80 / 5.5

* Recommended Spare Parts

No	Part Name	TRIM NUMBER AS PER API 600							
		1	2	8	5	9	10	12	16
02	Seat Ring	410	304	STL Gr.6	STL Gr.6	MONEL	316	316	STL Gr.6
03	Disc			410	STL Gr.6				STL Gr.6
04	Washer								
05	Disc Nut								
06	Pin			410	410				
08	Disc Pin								316
10	Plug								

BILL OF MATERIALS STANDARD ACCORDING TO ASTM									
No	Part Name	Carbon Steel		Alloy Steel		Stainless Steel			
		WCB	LCB	WC6	C5	CF8	CF8M	CF3	CF3M
01	Body	A216 WCB	A352LCB	A217WC6	A217 C5	A351 CF8	A351 CF8M	A351 CF3	A351 CF3M
07	Disc Hinge	A216 WCB	A352 LCB	A217 WC6	A217 C5	A351 CF8	A351 CF8M	A351 CF3	A351 CF3M
12	Cover	A216 WCB	A352 LCB	A217 WC6	A217 C5	A351 CF8	A351 CF8M	A351 CF3	A351 CF3M
13	Bonnet Bolts	A193-B7	A320-L7	A193-B16		A193-B8			
14	Bonnet Nuts	A194-2H	A194-4	A194-4		A194-8			
11	Body / Cover Gasket	304 SS + Graphite inhibited							
09	Plug gasket	304 SS + Graphite inhibited							
15	Lifting Eyebolt	Iron Steel							

This document is the property of OPM ITALIA Srl. It must not be stored, reproduced or disclosed to others without written authorisation from the Company.

150 Lbs

SIZE		DIMENSION in mm			WEIGHT
Inches	mm	L (RF)	L (BW)	H	Kg
2"	50	203	203	150	19
3"	80	241	241	175	29
4"	100	292	292	210	49
6"	150	356	356	315	77
8"	200	495	495	365	140
10"	250	622	622	445	207
12"	300	698	698	520	330
14"	350	787	787	600	410
16"	400	864	864	615	600
18"	450	978	978	655	680
20"	500	978	978	670	750
22"	550	1067	1067	725	--
24"	600	1295	1295	765	1280

CAST STEEL SWING CHECK VALVES CLASS 150#