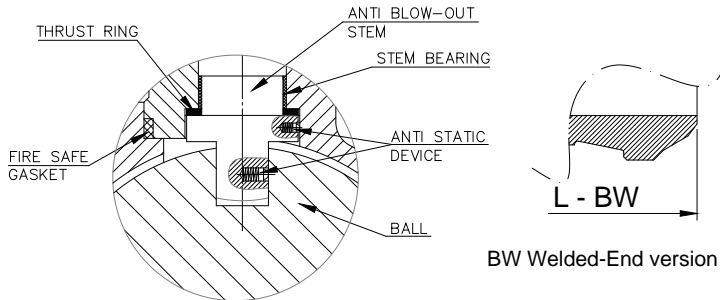
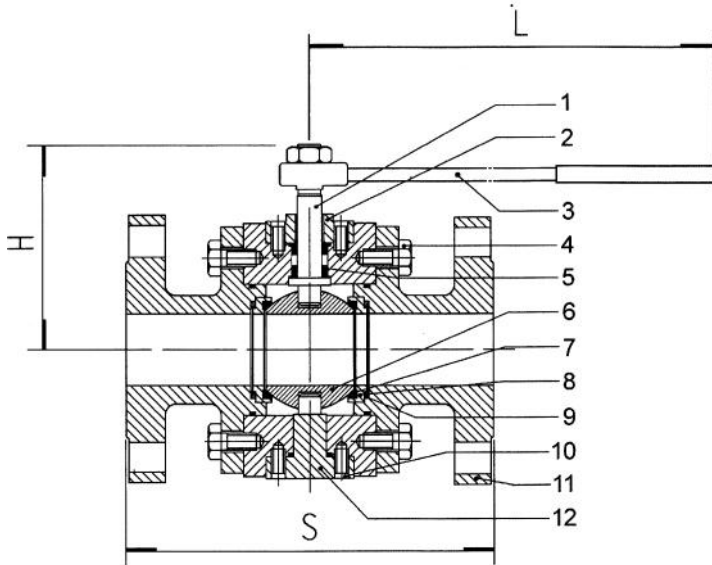


150 - 300 - 600 - 900 - 1500 Lbs

**DT-BV-005
CAST**



BASIC DESIGN STANDARDS

Basic Design	API 6D / ANSI B16.34
Face-to-face Dimension	API 6D / ANSI B16.10
Flanges	ANSI B16.5
Testing	API 6D

STANDARD DESCRIPTION

- Trunnion mounted Ball valve - 3 pieces
- Soft Seated – Anti blowout stem
- Full Port or Reduced Port
- Fire safe design to API 607
- Antistatic device
- Lever Operator OR
- Gear box Operator
- Special features according to Customer's requirement.

TEST PRESSURE TO API 598 bar.g

Rating	Shell (water)	Seat (water)	Seat (air)
150 #	30	22	6
300 #	77	57	6
600 #	153	113	6
900#	230	170	6
1500#	383	281	6

* Recommended Spare Parts

BILL OF MATERIALS STANDARD ACCORDING TO ASTM

No	Part Name	WCB	LCB	CF8M
01	Stem	ASTM A105N + ENP	ASTM A350 LF2 + ENP	ASTM A182 F316
02	Gland	ASTM A105N + ENP	ASTM A350 LF2 + ENP	ASTM A182 F316
03	Wrench	Carbon Steel	Carbon Steel	Carbon Steel
04	Stud Bolt	ASTM A193 B7M	ASTM A320 L7M	ASTM A193 B8
05	Stem Seal	O-RING	O-RING	O-RING
06	Ball	ASTM A105 + ENP	ASTM A350 LF2 + ENP	ASTM A182 F316
07	Seat	PTFE / DEVLON	PTFE / DEVLON	PTFE / DEVLON
08	Seat Ring	Carbon Steel	Low Temp. Carbon Steel	Stainless steel
09	Spring	Spring steel	Spring steel	Spring steel
10	Screw	ASTM A193 B7M	ASTM A320 L7M	ASTM A193 B8
11	Body	ASTM A216 WCB	ASTM A352 LCB	ASTM A351 CF8M
12	Stem Below	ASTM A105N + ENP	ASTM A350 LF2 + ENP	ASTM A182 F316

150 - 300 - 600 - 900 - 1500 Lbs

	SIZE		DIMENSION in mm			WEIGHT
	Inches	mm	S (RF)	H	L	Kg
Class 150 #	2"	50	178	165	230	15
	2 1/2"	65	191	165	400	20
	3"	80	203	193	400	33
	4"	100	229	231	460	50
	6"	150	394	329	700	93
	8"	200	457	393	--	165
	10"	250	533	401	--	272
	12"	300	610	441	--	480
	14"	350	686	481	--	580
	16"	400	762	598	--	780
	20"	500	914	708	--	1190
	24"	600	1067	863	--	1580

	SIZE		DIMENSION in mm			WEIGHT
	Inches	mm	S (RF)	H	L	Kg
Class 300 #	2"	50	216	165	230	20
	3"	80	283	193	400	40
	4"	100	305	231	475	63
	6"	150	403	329	700	145
	8"	200	502	393	--	236
	10"	250	568	411	--	300
	12"	300	648	441	--	500
	14"	350	762	481	--	600
	16"	400	838	598	--	1000
	20"	500	991	708	--	1310
	24"	600	1143	863	--	1870

	SIZE		DIMENSION in mm			WEIGHT
	Inches	Mm	S (RF)	H	L	Kg
Class 600 #	2"	50	292	176	400	27
	3"	80	356	247	750	50
	4"	100	432	276	1000	78
	6"	150	559	363	1500	220
	8"	200	660	383	--	350
	10"	250	787	426	--	590
	12"	300	838	548	--	820
	14"	350	889	598	--	1130
	16"	400	991	648	--	1530
	20"	500	1194	810	--	2800
	24"	600	1397	920	--	3600

CAST STEEL TRUNNION MOUNTED BALL VALVES CLASS 150 - 300 - 600

150 - 300 - 600 - 900 - 1500 Lbs

	SIZE		DIMENSION in mm			WEIGHT
	Inches	mm	S (RF)	H	L	Kg
Class 900 #	2"	50	368	190	450	50
	3"	80	381	249	900	95
	4"	100	457	315	1500	137
	6"	150	610	333	--	280
	8"	200	737	401	--	440
	10"	250	838	508	--	740
	12"	300	965	568	--	1010
	14"	350	1029	665	--	1400
	16"	400	1130	730	--	1800
	20"	500	1321	820	--	2900
	24"	600	1549	970	--	4200

	SIZE		DIMENSION in mm			WEIGHT
	Inches	mm	S (RF)	H	L	Kg
Class 1500 #	2"	50	368	250	700	85
	3"	80	470	300	1400	135
	4"	100	546	326	--	220
	6"	150	705	355	--	390
	8"	200	832	499	--	580
	10"	250	991	570	--	950
	12"	300	1130	700	--	1330
	14"	350	1257	752	--	1750
	16"	400	1384	800	--	2300
	20"	500	1660	978	--	4700

CAST STEEL TRUNNION MOUNTED BALL VALVES CLASS 900 - 1500