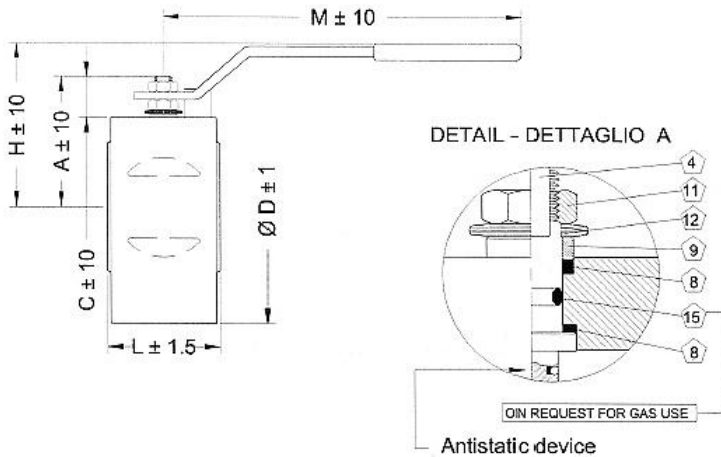
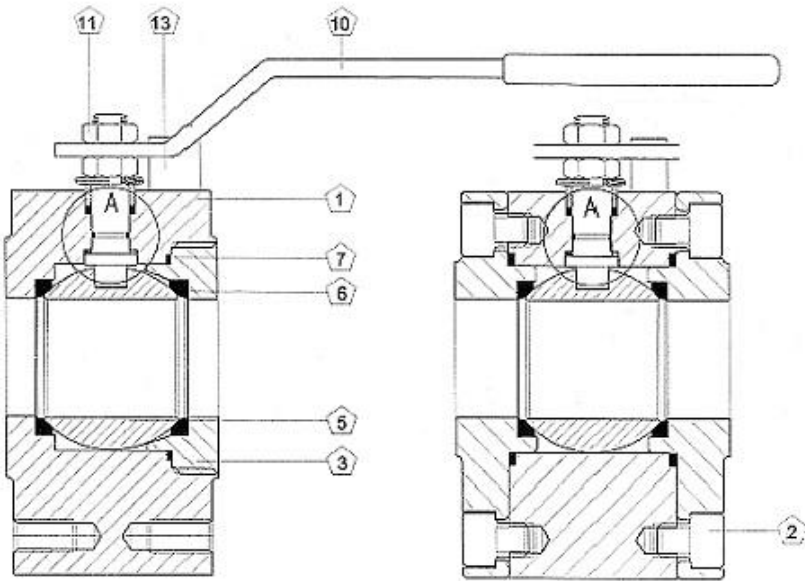


150 Lbs / PN16

DT-BV-003



BASIC DESIGN STANDARDS

Basic Design BS 5351

Face-to-face Dimension Mfr Std

Testing BS 5351

STANDARD DESCRIPTION

- Floating Type – two pieces body
- Soft Seated – Anti blowout stem
- Full Port
- Fire safe design to API 607
- Antistatic device
- Lever operator
- Special features according to Customer's requirement.

TEST PRESSURE TO API 598 bar

Shell (water)	Seat (water)	Seat (air)
30	22	6

This document is the property of OPM Italia Srl. It must not be stored, reproduced or disclosed to others without written authorisation from the Company.

* Recommended Spare Parts

BILL OF MATERIALS STANDARD ACCORDING TO ASTM				
No	Part Name	Carbon Steel		Stainless Steel
		A105N / 304	A105N / 316	316 / 316
01	Body	ASTM A105N	ASTM A105N	ASTM A182 F316
02	Nut	ASTM A194 2H	ASTM A194 2H	ASTM A194 Gr.8
03	Closure	ASTM A105N	ASTM A105N	ASTM A182 F316
04	Stem	ASTM A479 TP304	ASTM A479 TP316	ASTM A479 TP316
05	Ball	ASTM A479 TP304	ASTM A479 TP316	ASTM A479 TP316
06	Seat (*)	P.T.F.E.	P.T.F.E.	P.T.F.E.
07	Body Gasket (*)	P.T.F.E.	P.T.F.E.	P.T.F.E.
08	Stem seal	P.T.F.E.	P.T.F.E.	P.T.F.E.
09	Gland	ASTM A479 TP304	ASTM A479 TP316	ASTM A479 TP316
10	Wrench/Lever	Carbon steel	Carbon Steel	ASTM A182 F316
11	Wrench nut	ASTM A194 2H	ASTM A194 2H	ASTM A194 Gr.8
12	Washer	Galvanized Steel	Galvanized Steel	Galvanized Steel
13	Pin	Galvanized Steel	Galvanized Steel	Galvanized Steel
15	O-Ring Stem	Viton	Viton	Viton

150 Lbs / PN16

SIZE		DIMENSION in mm						WEIGHT
Inches	mm	Ø D	L (+/- 1,5)	H	A	C	M	Kg
1/2"	15	88	35	78	50	19	150	1.5
3/4"	20	98	42	87	60	23	185	2
1"	25	108	46	91	65	23	185	2.7
1-1/4"	32	128	55	106	80	29	280	3.8
1-1/2"	40	138	66	111	90	30	280	6.5
2"	50	148	72	120	96	32	280	8
2-1/2"	65	168	98	157	132	53	380	15
3"	80	188	120	161	139	48	380	20
4"	100	220	140	181	160	55	480	30
5"	125	250	177	205	180	65	480	47
6"	150	280	210	220	200	68	480	69

The above dimensions are only for Screwed ends type.

FORGED STEEL BALL VALVE WAFER CLASS 150 #/PN16