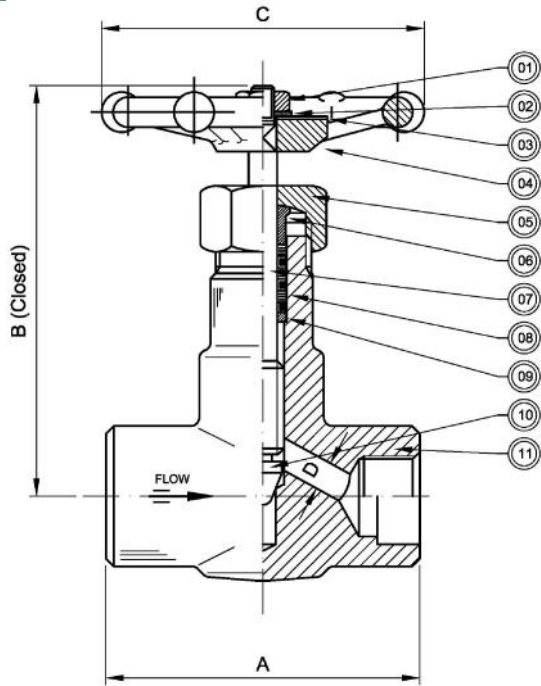


NEEDLE VALVE – FORGED STEEL

3000 – 6000 psi

DT-BNV-002



STANDARD DESCRIPTION

- Union Bonnet
- Socket weld or threaded Ends
- Special design, upon Customer's request.

BASIC DESIGN STANDARDS

Basic Design Mfr Std

Face to Face Dimension Ends Manufacturer Standard
 SW to ANSI B16.11
 NPT to ANSI B1.20.1
 BSP thread to ISO 7/1

Testing Mfr Std

BILL OF MATERIALS STANDARD ACCORDING TO ASTM				
No	Part Name	Carbon Steel	Stainless Steel	
		CS	SS 304	SS 316
01	Hand Wheel nut	Carbon steel	ASTM A194 Gr. 8	ASTM A194 Gr. 8
02	Washer	Carbon steel	Stainless steel	Stainless steel
03	Nameplate	Aluminium	Stainless steel	Stainless steel
04	Hand Wheel	Carbon steel	Carbon steel	Carbon steel
05	Bonnet Nut	ASTM A105N	ASTM A182 F304	ASTM A182 F316
06	Gland	ASTM A479 TP304	ASTM A479 TP304	ASTM A479 TP316
07	Stem	ASTM A479 TP410	ASTM A479 TP304	ASTM A479 TP316
08	Packing	Graphoil	Graphoil or PTFE	Graphoil or PTFE
09	Ring	ASTM A479 TP304	ASTM A479 TP304	ASTM A479 TP316
10	Needle	ASTM A479 TP410	ASTM A479 TP304	ASTM A479 TP316
11	Body	ASTM A105N	ASTM A182 F304	ASTM A182 F316

Class 3000	SIZE		DIMENSION in mm				WEIGHT
	Inches	mm	A	B	C	D	Kg
	1/4"	8	60	85	80	4	0,4
3/8"	10	60	85	80	5	0,5	
1/2"	15	70	98	80	6	0,6	
3/4"	20	75	112	80	7	0,8	
1"	25	90	134	10	8,5	1,1	
1-1/4"	32	90	143	100	8,5	2,0	

Class 6000	SIZE		DIMENSION in mm				WEIGHT
	Inches	mm	A	B	C	D	Kg
	1/4"	8	60	85	80	4	0,5
3/8"	10	70	98	80	5	0,6	
1/2"	15	75	112	80	5	0,8	
3/4"	20	90	134	100	6	1,1	
1"	25	90	143	10	6	3,5	

This document is the property of OPM Italia Srl. It must not be stored, reproduced or disclosed to others without written authorisation from the Company.