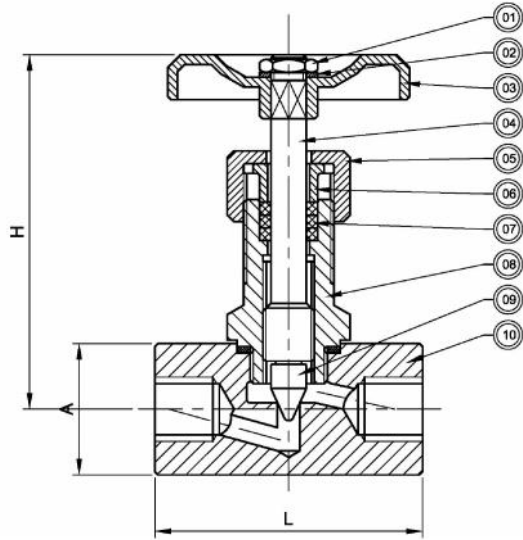


3000 – 6000 psi

DT-BNV-001



### STANDARD DESCRIPTION

- Union Bonnet
- Socket weld or threaded Ends
- Special design, upon Customer's request.

### BASIC DESIGN STANDARDS

Basic Design	Mfr Std
Face to Face Dimension	Manufacturer Standard
Ends	SW to ANSI B16.11 NPT to ANSI B1.20.1 BSP thread to ISO 7/1
Testing	Mfr Std

### BILL OF MATERIALS STANDARD ACCORDING TO ASTM

No	Part Name	Carbon Steel		Stainless Steel	
		CS	SS 304	SS 316	
01	Hand Wheel nut	ASTM A194 GR. 2H	ASTM A194 Gr. 8	ASTM A194 Gr. 8	
02	Washer	Carbon steel	Stainless steel	Stainless steel	
03	Hand Wheel	Carbon steel	Carbon steel	Carbon steel	
04	Stem	ASTM A479 TP410	ASTM A479 TP304	ASTM A479 TP316	
05	Bonnet Nut	Carbon steel	Stainless steel	Stainless steel	
06	Gland	Carbon steel	Stainless steel	Stainless steel	
07	Packing rings	Graphoil	Graphoil or PTFE	Graphoil or PTFE	
08	Bonnet	Carbon steel	Stainless steel	Stainless steel	
09	Needle	ASTM A479 TP410	ASTM A479 TP304	ASTM A479 TP316	
10	Body	Carbon steel	Stainless steel	Stainless steel	

SIZE	DIMENSION in mm						WEIGHT
	Inches	mm	L	H	A SQUARE SHAPE	Ø Bore	Kg
	Class 3000	¼"	8	60	100	30	5
3/8"		10	60	100	30	5	0,5
½"		15	60	100	30	6	0,6
¾"		20	70	100	35	7,5	0,8
1"		25	75	116	40	9	1,1
1-1/4"		32	91	140	50	11,5	2,0
1-1/2"		40	100	145	60	16,5	3,5
2"	50	120	150	70	19	4,0	

SIZE	DIMENSION in mm						WEIGHT
	Inches	mm	L	H	A SQUARE SHAPE	Ø Bore	Kg
	Class 6000	¼"	8	60	100	30	6
3/8"		10	60	100	30	6	0,8
½"		15	70	100	35	7,5	1,1
¾"		20	75	116	40	9	2,0
1"		25	91	140	50	11,5	3,5
1-1/4"		32	100	145	60	16,5	4,0
1-1/2"		40	120	150	70	19	6,5
2"		50	120	155	80	19	7,5

This document is the property of OPM Italia Srl. It must not be stored, reproduced or disclosed to others without written authorisation from the Company.